



**Automatic
Electric Ltd.**

Instrument
Transformer Division



Current Transformers

**INDOOR RESIN CAST
SINGLE PHASE SINGLE POLE
POTENTIAL TRANSFORMERS**

**RECTANGULAR TYPE
CTS (PROTECTION) RESIN**

**INDOOR
RESIN CAST TYPE**

**INDOOR
RESIN CAST RING TYPE**

**HIGH VOLTAGE
BREAK-DOWN TESTER**

**INDOOR RESIN CAST
SUMMATION CURRENT TRANSFORMERS**

**RECTANGULAR TYPE
CTS (METERING)**

**CT-PT Metering Units,
Oil filled, Outdoor**

**CT-PT Metering Cubicles,
Indoor, Resin Cast**





**Automatic
Electric Ltd.**

**Encapsulated
Current
Transformers**

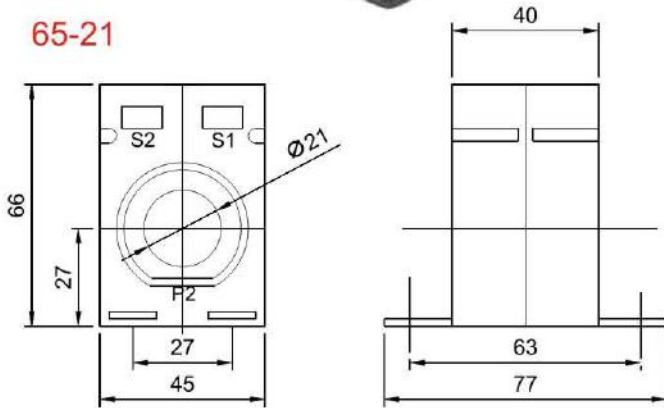
Model 65/14, 65/21

**AE-65(45)
Series**

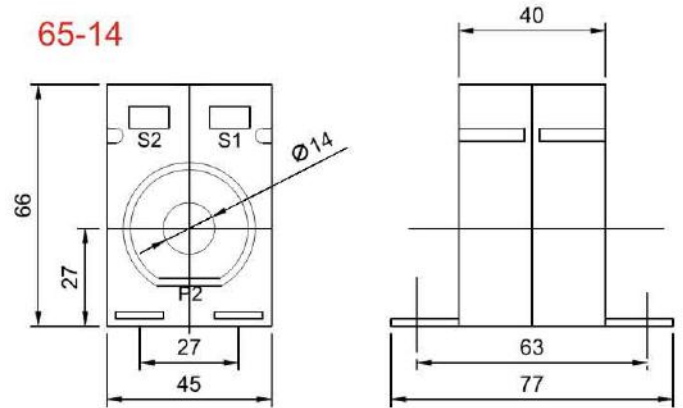


- Model 65/14, 65/21 available in Accuracy Class 0.5, 1 & Class 3
- Orders for different ranges of CT's are accepted on request.
- 5A & 1A Secondary available.
- For all transformers DIN RAIL plate can be supplied (as per DIN EN 50022) on request.

65-21



65-14



Rated Primary Current	65/14			65/21		
	Accuracy Class			Accuracy Class		
	0.5	1	3	0.5	1	3
30 A	-	-	-	-	-	-
40 A	-	-	1 VA	-	-	-
50 A	-	1VA	1.5 VA	-	1VA	1.5VA
60 A	-	1.5 VA	1.5VA	-	1VA	1.5VA
75 A	-	1.5 VA	2.5VA	-	1.5VA	1.5VA
80 A	-	1.5 VA	2.5VA	1VA	1.5VA	2.5VA
100 A	1.5 VA	2.5 VA	3.75VA	1.5VA	2.5VA	2.5VA
120 A	1.5 VA	3.75 VA	3.75VA	1.5VA	2.5VA	3.75VA
125A	1.5 VA	3.75 VA	5VA	2.5VA	3.75VA	3.75VA
150 A	2.5 VA	5 VA	5VA	1.5VA	3.75VA	5VA
200 A	3.75 VA	5 VA	7.5VA	3.75VA	3.75VA	5VA
250 A	5 VA	7.5 VA	10VA	3.75VA	5VA	5VA
300 A	5 VA	10 VA	-	5VA	5VA	7.5VA
400A	-	-	-	3.75VA	5VA	7.5VA



**Automatic
Electric Ltd.**

Registered Office & Marketing Division :
Rectifier House, 570, Naigaum Cross Road,
Wadala, Mumbai 400 031, India

Tel. : 91-22-24131849/24151794/24162261, Fax : 91-22-24112582

E-mail : Domestic Market : ssr@aelindia.com / sales@aelinda.com / ppp@aelindia.com

Export Market : pab@aelindia.com • For Technical know-how : development@aelindia.com

Note: Product innovation is a part of continuous development hence specifications are subject to change without notice.



www.aelindia.com



**Automatic
Electric Ltd.**

**Encapsulated
Current
Transformers**

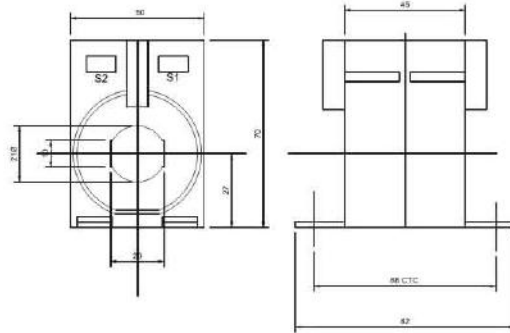
Model 70/50

70(50) Series



- Model 70/50 available in Accuracy Class 0.5 & Class 1
- Orders for different ranges of CT's are accepted on request.
- 5A & 1A Secondary available.
- For all transformers DIN RAIL plate can be supplied (as per DIN EN 50022) on request.

70 (50)



Rated Primary Current	70/14		70/21		70/30	
	Accuracy class		Accuracy class		Accuracy class	
	0.5	1	0.5	1	0.5	1
30A	-	-	-	-	-	-
40A	-	1.0VA	-	-	-	-
50A	-	1.5A	-	1VA	-	-
60A	-	1.5A	-	1VA	-	-
75A	-	1.5VA	-	1.5VA	-	1.0VA
80A	-	1.5VA	2.5VA	1.5VA	-	1.0VA
100A	2.5VA	3.75VA	2.5VA	2.5VA	1.0VA	2.5VA
120A	2.5VA	3.75VA	2.5VA	2.5VA	1.0VA	2.5VA
125A	2.5VA	3.75VA	2.5VA	3.75VA	1.0VA	2.5VA
150A	3.75VA	5.0VA	2.5VA	5.0VA	2.5VA	3.75VA
200A	3.75VA	5.0VA	3.75VA	5.0VA	2.5VA	3.75VA
250A	5.0VA	7.5VA	5.0VA	5.0VA	5.0VA	5.0VA
300A	7.5VA	7.5VA	5.0VA	7.5VA	5.0VA	5.0VA
400A	-	-	5.0VA	7.5VA	5.0VA	5.0VA
500A	-	-	-	-	5.0VA	5.0VA
600A	-	-	-	-	5.0VA	5.0VA

Rated Primary Current	70/14		70/21		70/30	
	Accuracy class		Accuracy class		Accuracy class	
	0.5	1	0.5	1	0.5	1
30A	-	1.0VA	-	-	-	-
40A	-	1.0VA	-	-	-	-
50A	1.5VA	1.5VA	1.5VA	1.5VA	1.0VA	1.0VA
60A	1.5VA	1.5VA	1.5VA	1.5VA	1.0VA	1.0VA
75A	2.5VA	3.75VA	2.5VA	2.5VA	2.5VA	2.5VA
80A	2.5VA	3.75VA	2.5VA	2.5VA	2.5VA	2.5VA
100A	3.75VA	5.0VA	2.5VA	5.0VA	2.5VA	5.0VA
120A	3.75VA	5.0VA	3.75VA	5.0VA	2.5VA	5.0VA
125A	3.75VA	5.0VA	3.75VA	5.0VA	2.5VA	5.0VA
150A	5.0VA	7.5VA	5.0VA	7.5VA	3.75VA	5.0VA
200A	7.5VA	10VA	7.5VA	10VA	5.0VA	7.5VA
250A	10VA	12.5VA	7.5VA	10VA	5.0VA	7.5VA
300A	10VA	12.5VA	7.5VA	12.5VA	5.0VA	10VA
400A	-	-	10VA	15VA	7.5VA	10VA
500A	-	-	10VA	-	7.5VA	10VA
600A	-	-	10VA	-	7.5VA	10VA



**Automatic
Electric Ltd.**

Registered Office & Marketing Division :
Rectifier House, 570, Naigaum Cross Road,
Wadala, Mumbai 400 031, India

Tel. : 91-22-24131849/24151794/24162261, Fax : 91-22-24112582

E-mail : Domestic Market : ssr@aelindia.com / sales@aelinda.com / pap@aelindia.com

Export Market : pab@aelindia.com • For Technical know-how : development@aelindia.com

Note: Product innovation is a part of continuous development hence specifications are subject to change without notice.



www.aelindia.com



**Automatic
Electric Ltd.**

**Encapsulated
Current
Transformers**

Model 78R, 78/20, 78/30, 78/40



AE-78(62) Series

- ♦ Model 78(R), 78/20, 78/30, 78/40 available in Accuracy Class 0.25, 0.2, 0.5 & Class 1
- ♦ Orders for different ranges of CT's are accepted on request.
- ♦ 5A & 1A Secondary available.
- ♦ For all transformers DIN RAIL plate can be supplied (as per DIN EN 50022) on request.

Rated Primary Current	78/R Accuracy Class			78/20 Accuracy Class			
	0.2	0.5	1	0.25	0.2	0.5	1
	50 A	-	-	1.5VA	-	-	-
60 A	-	-	2.5 VA	-	-	-	2.5VA
75 A	-	1.5VA	2.5 VA	-	-	1.5VA	3.75VA
80A	-	2.5 VA	2.5VA	-	-	2.5VA	3.75VA
100 A	1.5 VA	2.5 VA	5.0VA	1.5VA	-	2.5VA	5.0VA
120 A	1.5 VA	3.75 VA	5.0VA	1.5VA	-	3.75VA	5.0VA
125 A	1.5 VA	3.75 VA	5.0VA	1.5VA	-	3.75VA	5.0VA
150 A	2.5 VA	5.0 VA	7.5VA	2.0VA	2.5VA	5.0VA	7.5VA
200 A	5.0 VA	7.5 VA	10VA	3.75VA	5.0VA	7.5VA	10VA
250 A	5.0 VA	10 VA	15VA	3.75VA	5.0VA	10VA	15VA
300 A	5.0 VA	10 VA	15VA	3.75VA	5.0VA	10VA	15VA
400 A	5.0 VA	15 VA	15VA	5.0VA	7.5VA	15VA	15VA
500 A	10 VA	15 VA	15VA	-	-	-	-
600 A	10 VA	15 VA	15VA	-	-	-	-

Rated Primary Current	78/30 Accuracy Class				78/40 Accuracy Class			
	0.25	0.2	0.5	1	0.25	0.2	0.5	1
	50 A	-	-	-	1.5VA	-	-	-
60 A	-	-	-	1.5 VA	-	-	-	-
75 A	-	-	-	1.5 VA	-	-	-	-
80A	-	-	-	2.5VA	-	-	-	-
100 A	1VA	1VA	1.5 VA	2.5VA	-	-	-	1VA
120 A	1VA	1VA	2.5 VA	3.75VA	-	-	-	1.5VA
125 A	1VA	1VA	2.5 VA	3.75VA	-	-	-	1.5VA
150 A	1.5VA	1.5VA	3.75 VA	5VA	-	-	-	2.5VA
200 A	2.5VA	2.5VA	5 VA	7.5VA	1VA	1VA	1.5VA	3.75VA
250 A	2.5VA	3.75VA	5 VA	10VA	1.5VA	1.5VA	2.5VA	5VA
300 A	2.5VA	3.75VA	5 VA	10VA	1.5VA	1.5VA	5VA	5VA
400 A	3.75VA	5VA	7.5 VA	12.5VA	2.5VA	2.5VA	5VA	5VA
500 A	5VA	7.5VA	10 VA	10VA	3.75VA	5VA	5VA	7.5VA
600 A	5VA	7.5VA	15 VA	15VA	5VA	7.5VA	7.5VA	10VA
750 A	5VA	10 VA	15 VA	15VA	5VA	10VA	10VA	10VA
800 A	5VA	10 VA	15 VA	15VA	5VA	10VA	10VA	10VA



**Automatic
Electric Ltd.**

Registered Office & Marketing Division :
Rectifier House, 570, Naigaum Cross Road,
Wadala, Mumbai 400 031, India

Tel. : 91-22-24131849/24151794/24162261, Fax : 91-22-24112582

E-mail : Domestic Market : ssr@aelindia.com / sales@aelindia.com / ppp@aelindia.com

Export Market : pab@aelindia.com • For Technical know-how : development@aelindia.com



www.aelindia.com

Note: Product innovation is a part of continuous development hence specifications are subject to change without notice.



**Automatic
Electric Ltd.**

**Encapsulated
Current
Transformers**

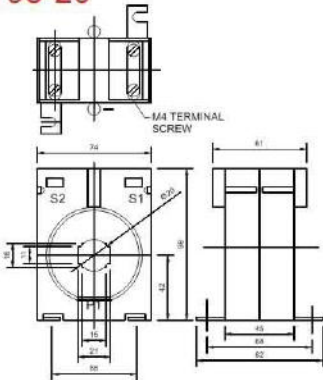
Model 98/20, 98/30, 98/40, 98/50

AE-98(74) Series

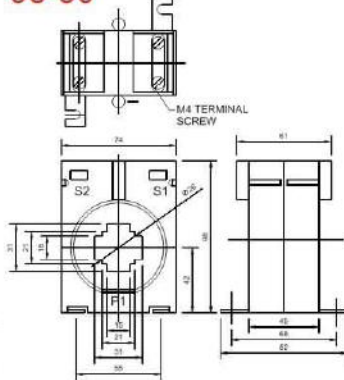


- ◆ AE 98/20, 98/30, 98/40, 98/50 available in Accuracy Class 0.25, 0.2, 0.5 & Class 1
- ◆ Orders for different ranges of CT's are accepted on request.
- ◆ 5A & 1A Secondary available.
- ◆ For all transformers DIN RAIL plate can be supplied (as per DIN EN 50022) on request.

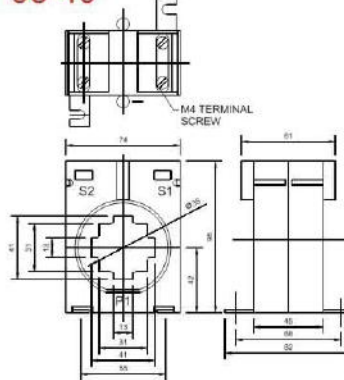
98-20



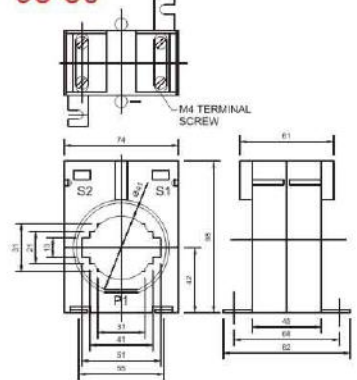
98-30



98-40



98-50



Rated Primary Current	98/20				98/30			
	Accuracy Class				Accuracy Class			
	0.25	0.2	0.5	1	0.25	0.2	0.5	1
30 A	-	-	-	1.5VA	-	-	-	1VA
40 A	-	-	-	1.5 VA	-	-	-	1.5VA
50 A	-	-	-	2.5 VA	-	-	-	1.5VA
60 A	-	-	-	3.75VA	-	-	-	2.5VA
75 A	-	-	1.5VA	5VA	-	-	1.5VA	2.5VA
80 A	-	-	1.5VA	5VA	-	-	1.5VA	3.75VA
100 A	1.5VA	1.5VA	3.75VA	5VA	-	-	2.5VA	5VA
120 A	1.5VA	1.5VA	5VA	10VA	1.5VA	1.5VA	5VA	5VA
125 A	1.5VA	1.5VA	5VA	10VA	1.5VA	1.5VA	5VA	5VA
150 A	2.5VA	2.5VA	7.5VA	12.5VA	1.5VA	2.5VA	7.5VA	7.5VA
200 A	5VA	5VA	10VA	15VA	2.5VA	7.5VA	10VA	15VA
250 A	5VA	5VA	10VA	15VA	2.5VA	12.5VA	20VA	15VA
300 A	5VA	7.5VA	15VA	15VA	2.5VA	15VA	20VA	15VA
400 A	5VA	10VA	15VA	20VA	5VA	15VA	20VA	20VA
500 A	-	-	-	-	5VA	15VA	20VA	20VA
600 A	-	-	-	-	5VA	15VA	20VA	20VA
750 A	-	-	-	-	7.5VA	15VA	20VA	30VA
800 A	-	-	-	-	10VA	15VA	20VA	30VA

Rated Primary Current	98/40				98/50			
	Accuracy Class				Accuracy Class			
	0.25	0.2	0.5	1	0.25	0.2	0.5	1
40 A	-	-	-	1VA	-	-	-	-
50 A	-	-	-	1VA	-	-	-	-
60 A	-	-	-	1VA	-	-	-	-
75 A	-	-	-	1.5VA	-	-	-	-
80 A	-	-	-	1.5VA	-	-	-	-
100 A	-	-	1.5VA	2.5VA	-	-	-	1.5VA
120 A	-	-	1.5VA	2.5VA	-	-	-	1.5VA
125 A	-	-	1.5VA	2.5VA	-	-	-	1.5VA
150 A	-	-	2.5VA	3.75VA	-	-	-	2.5VA
200 A	2.5VA	2.5VA	3.75VA	5VA	-	-	1.5VA	3.75VA
250 A	2.5VA	2.5VA	5VA	7.5VA	1.5VA	1.5VA	2.5VA	5VA
300 A	2.5VA	2.5VA	5VA	7.5VA	1.5VA	1.5VA	5VA	7.5VA
400 A	5VA	5VA	7.5VA	12.5VA	2.5VA	2.5VA	5VA	7.5VA
500 A	5VA	7.5VA	10VA	15VA	5VA	5VA	7.5VA	10VA
600 A	5VA	10VA	15VA	20VA	5VA	7.5VA	10VA	12.5VA
750 A	5VA	10VA	15VA	20VA	5VA	10VA	12.5VA	15VA
800 A	7.5VA	15VA	15VA	20VA	5VA	10VA	12.5VA	15VA
1000 A	10VA	15VA	15VA	20VA	5VA	10VA	12.5VA	15VA



**Automatic
Electric Ltd.**

Registered Office & Marketing Division :
Rectifier House, 570, Naigam Cross Road,
Wadala, Mumbai 400 031, India

Tel. : 91-22-24131849/24151794/24162261, Fax : 91-22-24112582

E-mail : Domestic Market : ssr@aelindia.com / sales@aelinda.com / ppp@aelindia.com

Export Market : pab@aelindia.com • For Technical know-how : development@aelindia.com

Note: Product innovation is a part of continuous development hence specifications are subject to change without notice.



www.aelindia.com